



STAINLESS STEEL SEAL WELDED BALL VALVE



MAIN PARAMETER SPECIFICATION

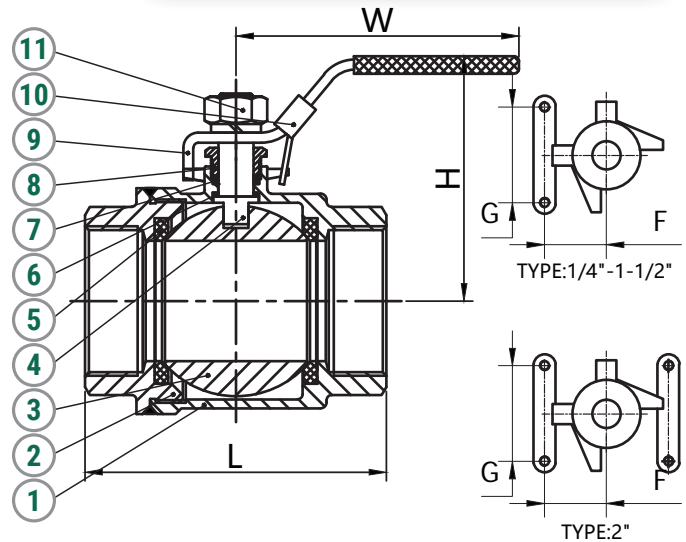
- Design and Manufacture: ANSI B16.34
- Thread Standard: ANSI B1.20.1
- Pressure Test: API 598
- Rated to 2,000 PSI

ISO 9001:2000 Certified
Certificate No. C2007-01814



MAIN PARTS AND MATERIALS		
No	Part	Material
1	Body	CF8M
2	Bonnet	CF8M
3	Ball	SS 316
4	Stem	SS 316
5	Seat	RPTFE
6	Washer	PTFE
7	Stem Packing	PTFE
8	Gland Nut	SS 304
9	Handle	SS 420
10	Locking Device	SS 420
11	Stem Nut	SS 304

MATERIAL SPECIFICATIONS							
SIZE	d	L	D	H	W	F	G
1/4"	0.47	2.36	3.74	2.13	3.86	0.50	1.12
3/8"	0.47	2.36	4.13	2.13	3.86	0.50	1.12
1/2"	0.59	2.52	4.53	2.20	3.94	0.50	1.12
3/4"	0.79	2.80	5.51	2.68	4.33	0.87	1.38
1"	0.98	3.31	5.91	2.91	5.51	0.87	1.38
1 1/4"	1.26	3.66	6.50	3.19	5.51	0.93	1.50
1 1/2"	1.50	4.33	7.28	3.66	7.32	0.93	1.50
2"	1.93	4.84	7.87	4.21	7.32	0.93	1.50



**FIELD PROVEN VALVES PROVIDING YEARS OF
COST EFFECTIVE, EFFICIENT, SAFE AND RELIABLE SERVICE.**

TEL: (281) 909-3711 • WWW.TULSAVALVE.COM